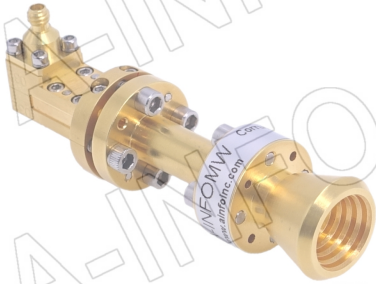


For reference only. See data sheet for the detailed specifications.

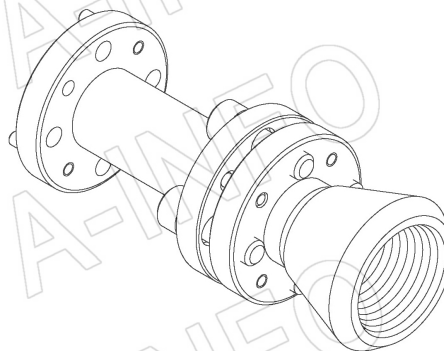
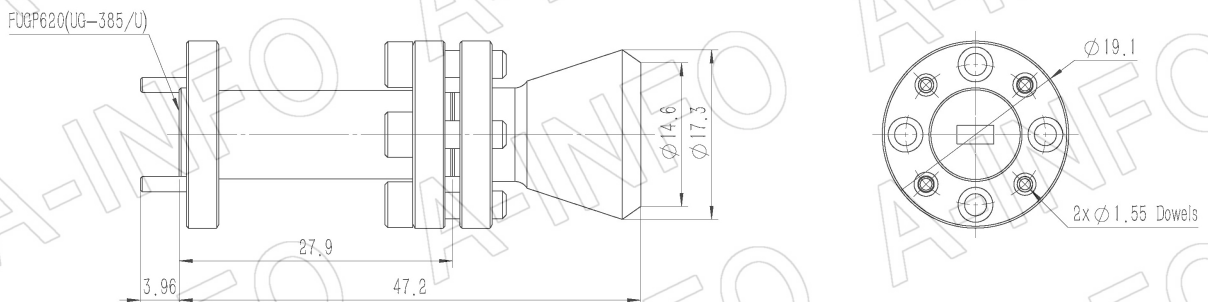
Technical Specification



Frequency Range(GHz)	A Type, WG output:	50.0 – 75.0
	C Type, 1.0mm-F:	50.0 – 75.0
	C Type, 1.85mm-F:	50.0 – 65.0
Waveguide	WR15	
Gain(dBi)	15 Typ.	
Polarization	Linear	
3dB Beamwidth(deg)	E Plane:	31 Typ.
	H Plane:	31 Typ.
Cross Pol. Isolation(dB)	40 Typ.	
VSWR	A Type:	1.25:1 Typ.
	C Type:	1.50:1 Typ.
Output	A Type:	FUGP620(UG-385/U)
	C Type:	1.0mm-Female or 1.85mm-Female
Material	Cu	
Finish	Gold Plated	
Size(mm)	A Type:	19.1 x 19.1 x 47.2
	C Type:	19.1 x 25 x 72.6
Net Weight(Kg)	A Type:	0.05 Around
	C Type:	0.07 Around

Outline Drawing (Size: mm)

FUGP620 Output (P/N: LB-CH-15-15-A)



AINFO Inc.

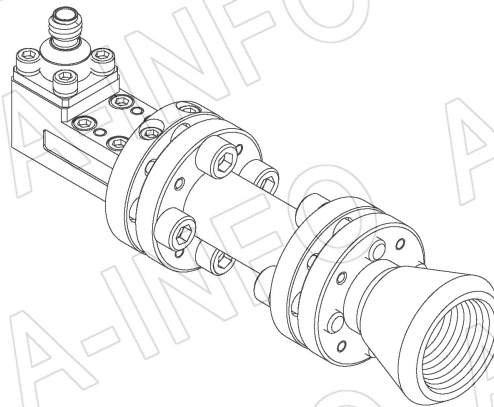
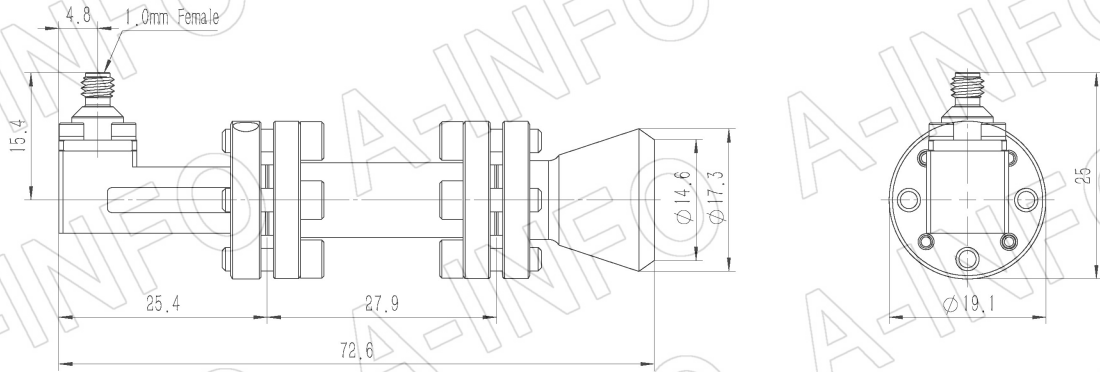
China(Beijing): Tel: (+86) 10-6266-7326,
China(Chengdu): Tel: (+86) 28-8519-2786,
USA: Tel: (+1) 949-639-9688,

Page 1 of 14
(+86) 10-6266-7327 Fax: (+86) 10-6266-7379
(+86) 28-8519-3044 Fax: (+86) 28-8519-3068
(+1) 949-639-9608 Fax: (+1) 949-639-9670

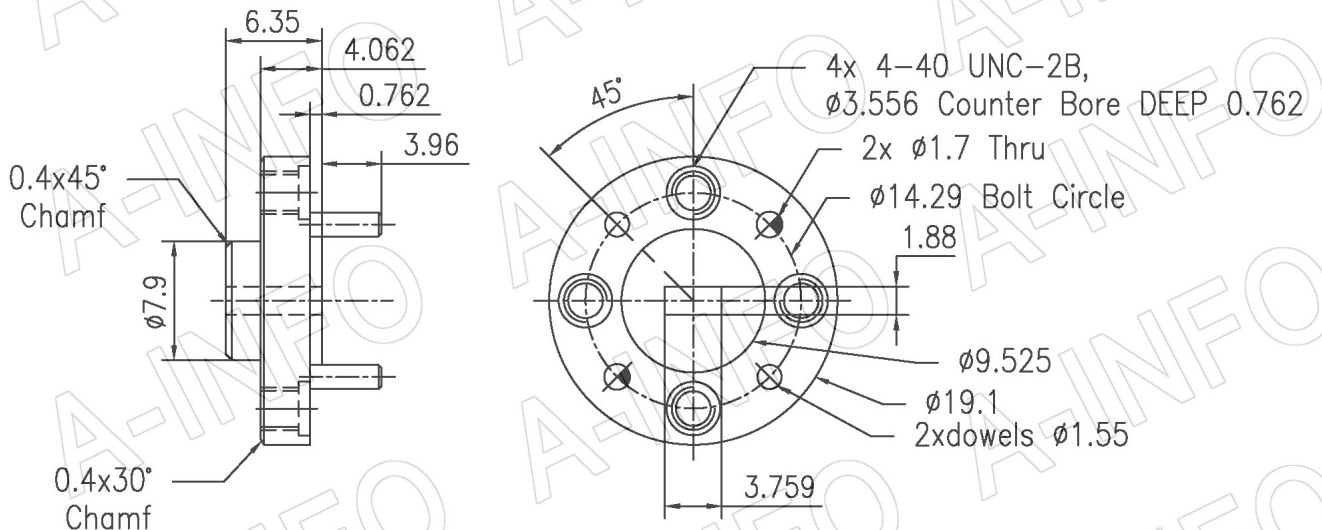
Website: www.ainfoinc.com
Email: sales@ainfoinc.com

1.0mm-Female Output (P/N: LB-CH-15-15-C-1.0F)

For 1.85mm-Female output outline drawing, please contact A-INFO.



Flange Drawing (Size: mm)



FUGP620
(equivalent to UG-385/U)

AINFO Inc.

China(Beijing): Tel: (+86) 10-6266-7326,
China(Chengdu): Tel: (+86) 28-8519-2786,
USA: Tel: (+1) 949-639-9688,

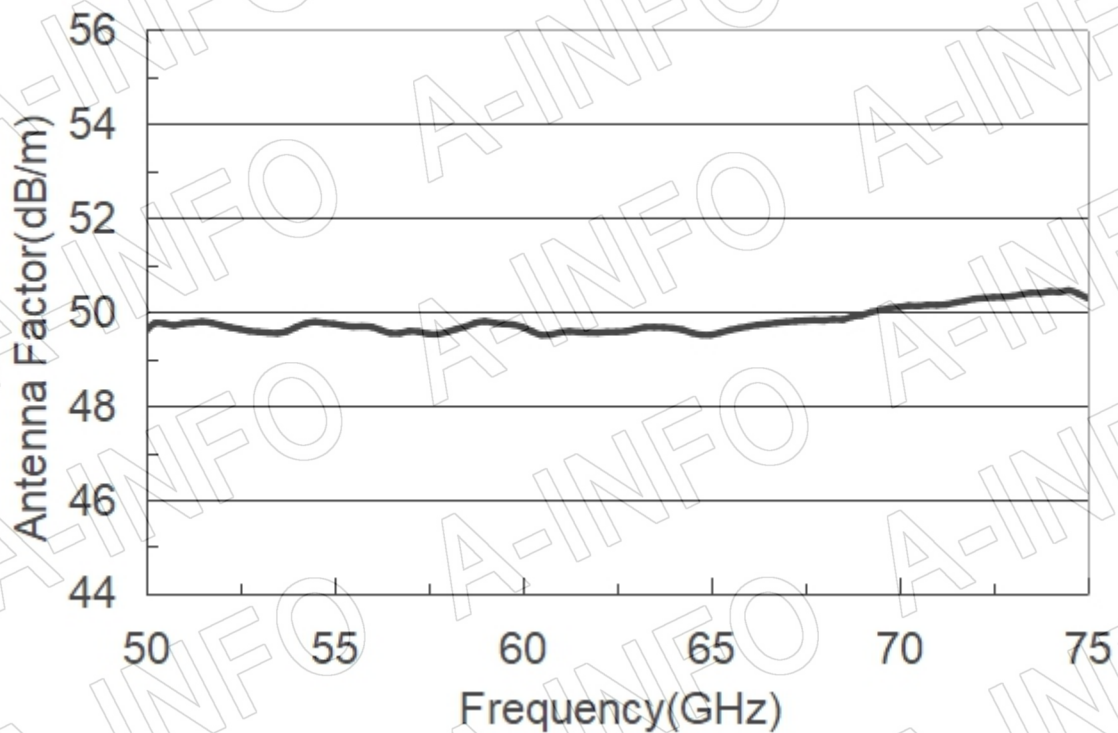
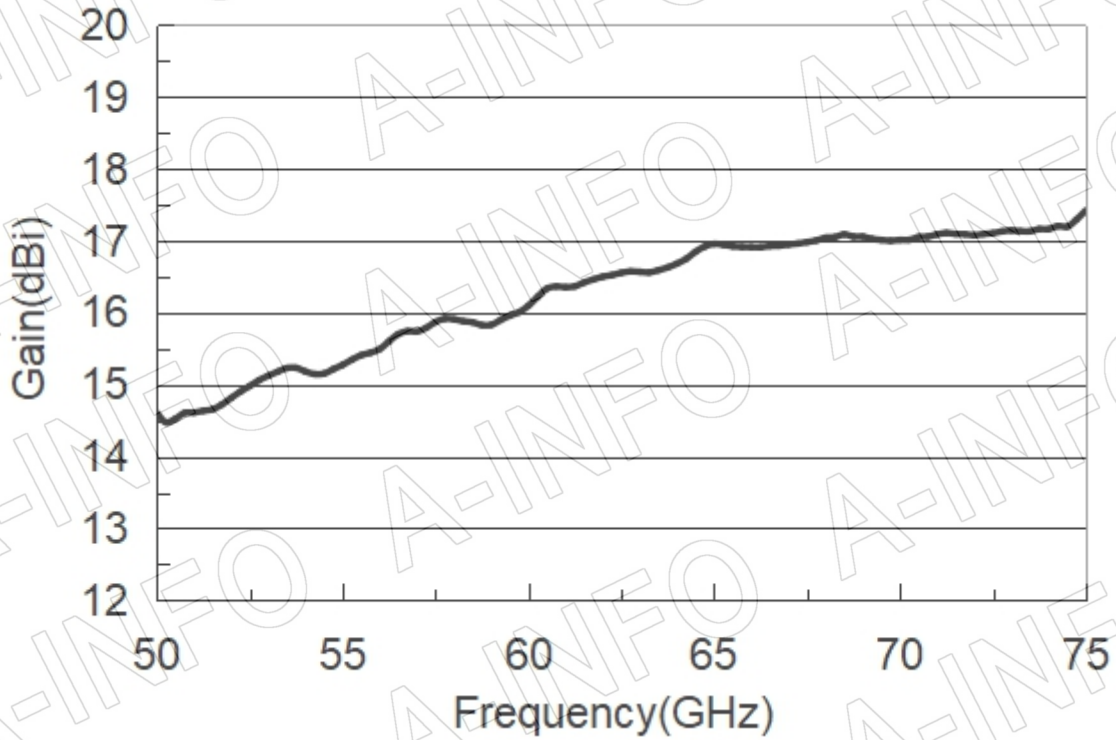
Page 2 of 14

(+86) 10-6266-7327 Fax: (+86) 10-6266-7379
(+86) 28-8519-3044 Fax: (+86) 28-8519-3068
(+1) 949-639-9608 Fax: (+1) 949-639-9670

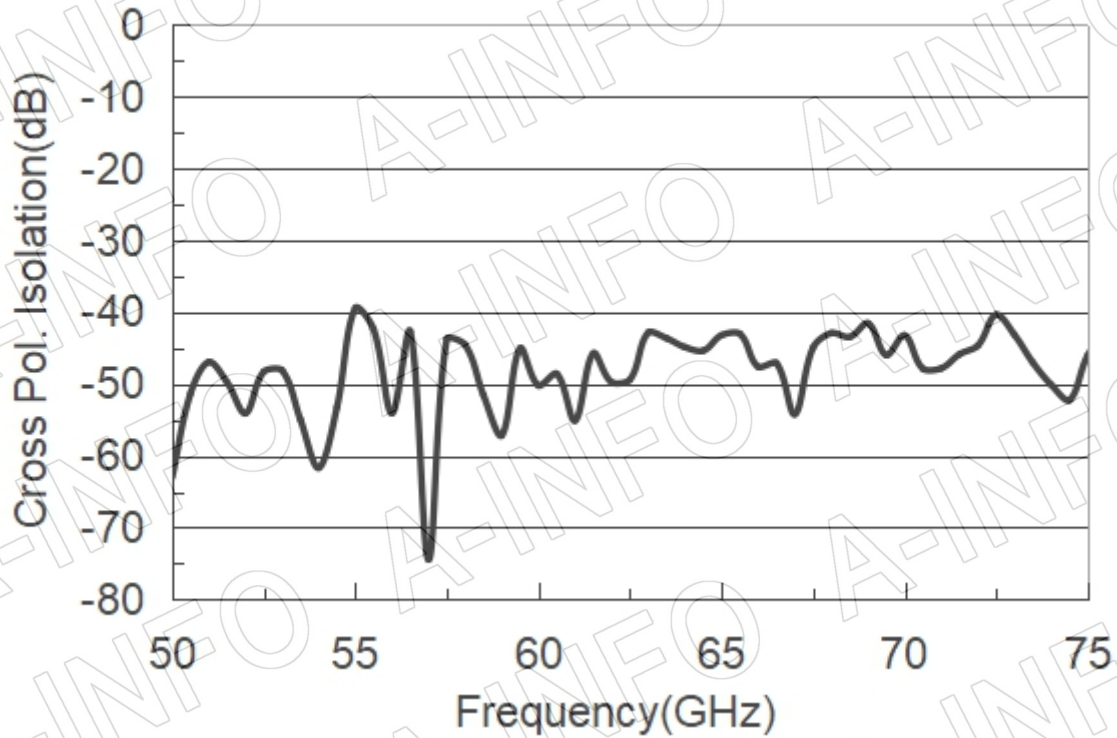
Website: www.ainfoinc.com
Email: sales@ainfoinc.com

Test Results

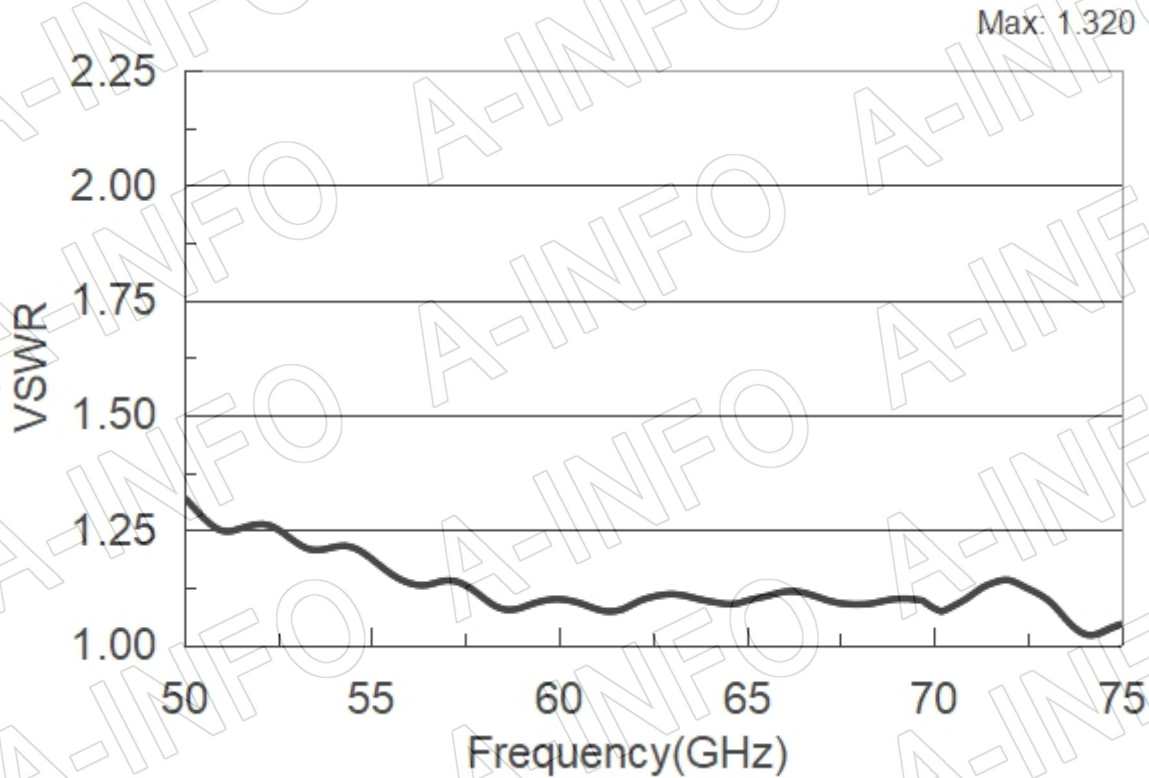
1. Gain & Antenna Factor



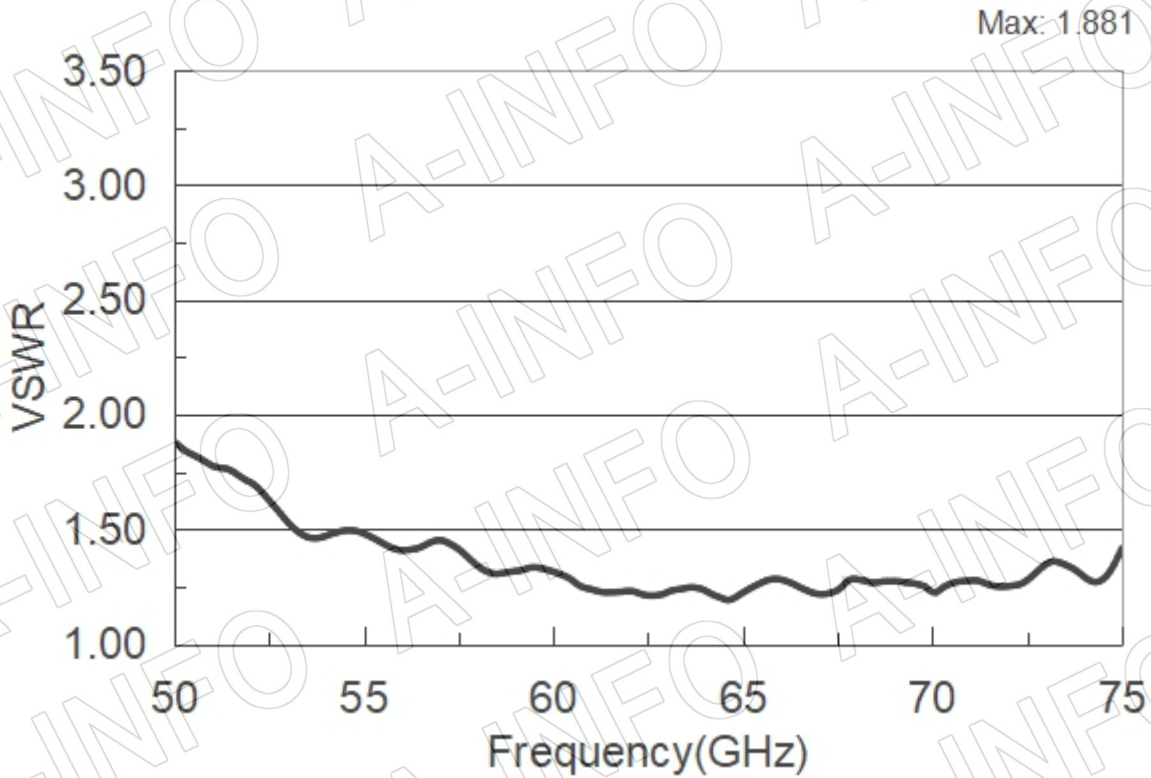
2. Cross Polarization Isolation



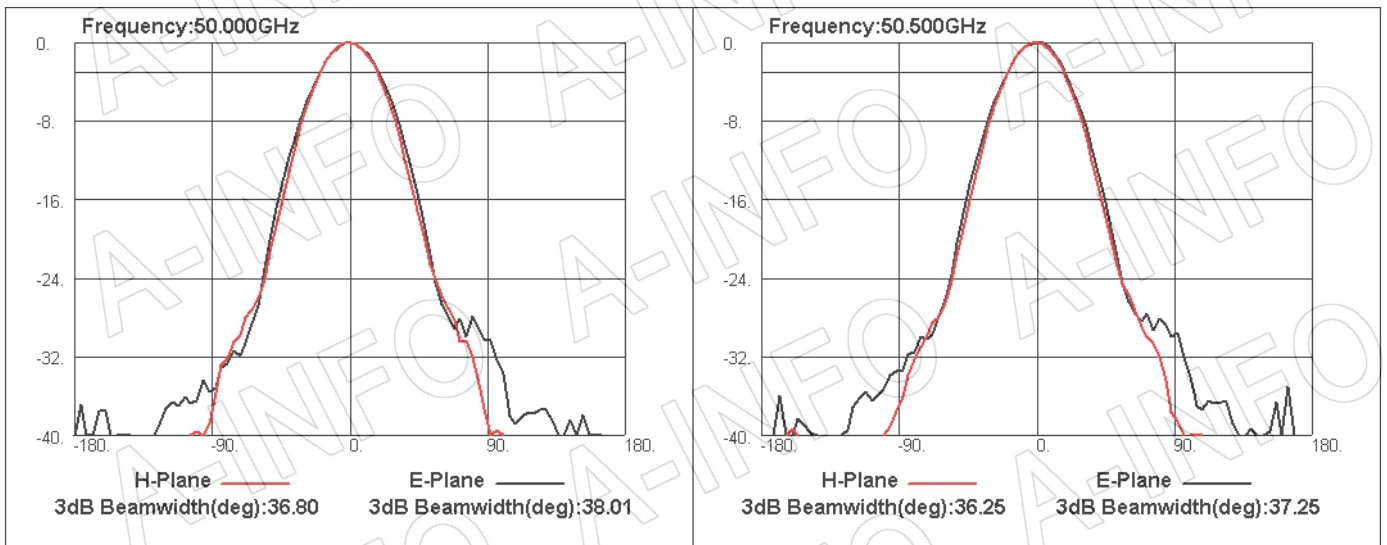
3. VSWR_A Type



VSWR_C Type



4. Pattern



AINFO Inc.

China(Beijing): Tel: (+86) 10-6266-7326,
China(Chengdu): Tel: (+86) 28-8519-2786,
USA: Tel: (+1) 949-639-9688,

Page 5 of 14

(+86) 10-6266-7327 Fax: (+86) 10-6266-7379
(+86) 28-8519-3044 Fax: (+86) 28-8519-3068
(+1) 949-639-9608 Fax: (+1) 949-639-9670

Website: www.ainfoinc.com
Email: sales@ainfoinc.com

